



robotix

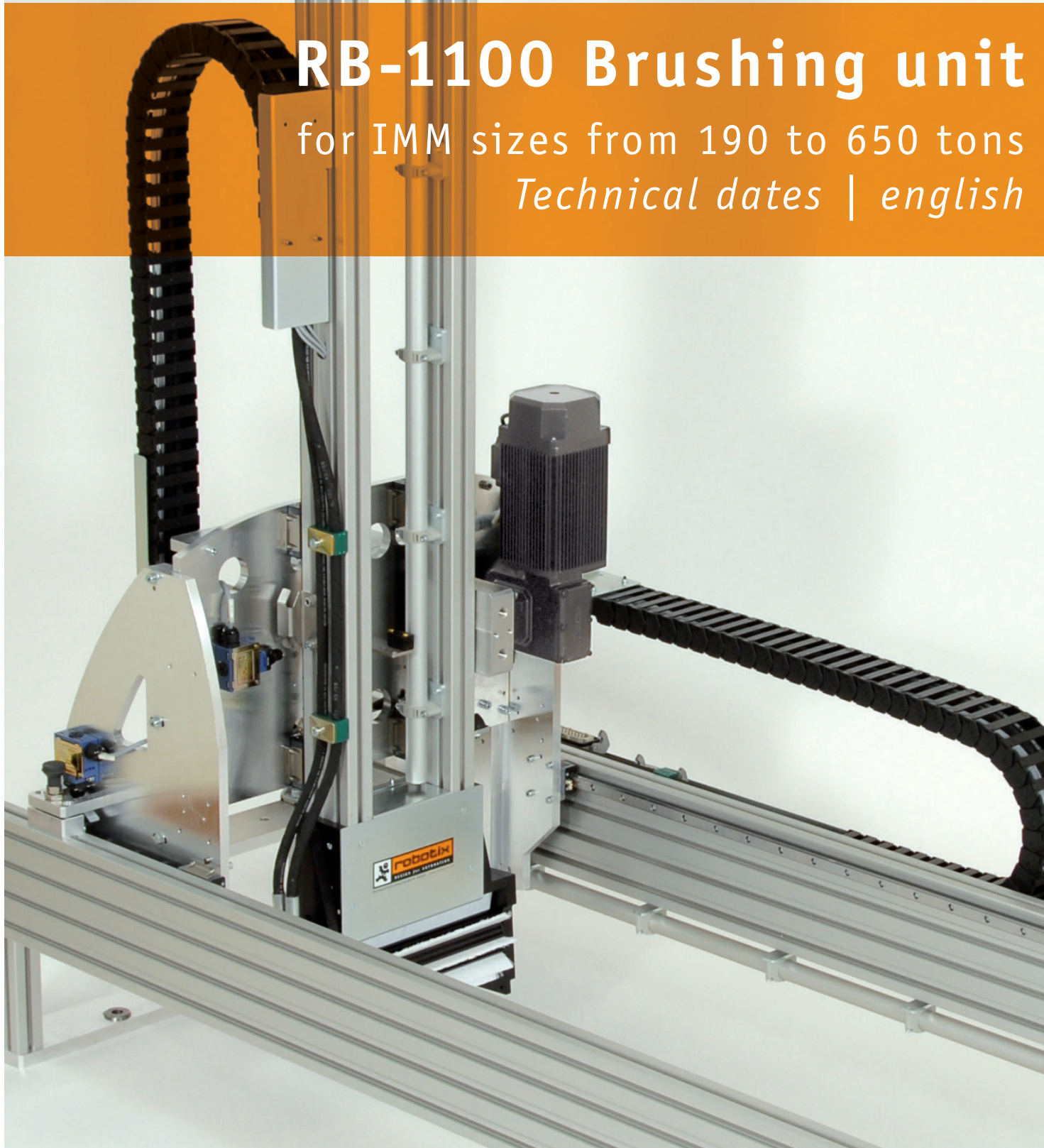
DESIGN for AUTOMATION

Automatisierungstechnik GmbH

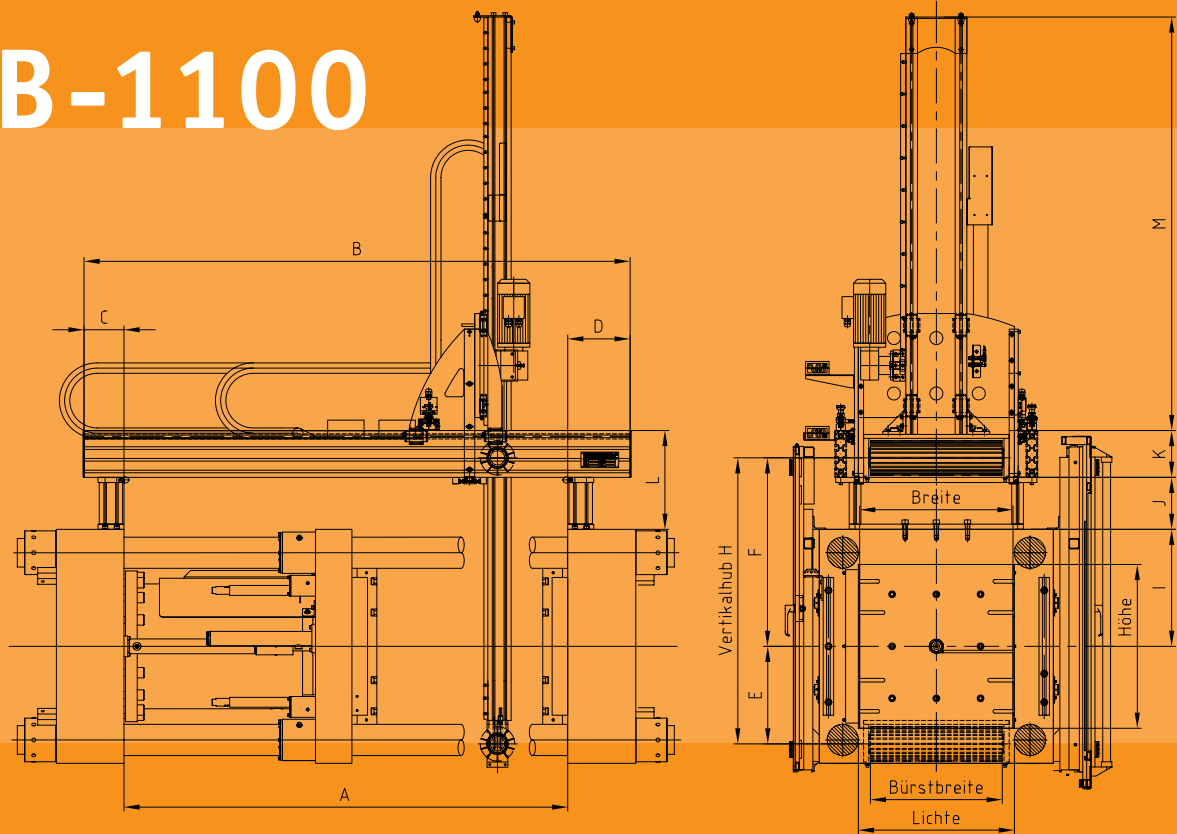
RB-1100 Brushing unit

for IMM sizes from 190 to 650 tons

Technical dates | english



RB-1100



Modular system for IMM sizes from 190 to 650 tons consists of following groups:

- * Stationary profile frame mounted on the fixed platen
- * Vertical axis with pneumatic drive (option: motor driven)
- * Brush head with integrated pneumatic drive (option: motor driven)
- * Vertical axis with large aluminum profile gross section for strong stability
- * Step less adjustment for mold height compensation (park position)
- * Large spacing between the linear bearing for great precision
- * Adjustment from the vertical axis (parallel) to the mold face
- * Version with 2 (or 3) vertical axis with compact spacing between the thin mold plates
- * Option: push plate and part removal with gripper

Type code: RB-1100 (Robotix Brush - 1100 mm vertical stroke)

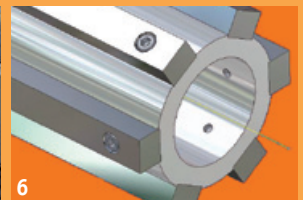
Type	IMM	Heating plate		Tie bars	Brush width	Vertical axis
	Tons	Width	Height	Clearance	Nominal width	Stroke
RB-900	190	450	510	510	450	900
RB-1100	300	550	630	600	550	1100
RB-1300	400	710	800	810	710	1300

Type	A	B	C	D	E	F	I	J	K	M
RB-900	1550	1800	140	200	300	600	410	180	180	1320
RB-1100	1706,5	2100	153	240	375	725	450	200	180	1590
RB-1300	2045	2500	215	240	475	775	470	250	180	1745

Metric dimension (mm). Technical data may vary (stand 2009)



Hydraulic drive with pivot axis



1) Strait bristles
2) Spiral brushes
3) Spiral brushes

4) Small knock out strips
5) Diagonal strips
6) Change able strips

Brush head modular system

- * Strip brushes in aluminum T slot for stable support
- * Spiral brushes for quiet and smooth cleaning
- * Easy change for the spear strip brushes

* Versions:

- > Double brush head
- > Pivot axis for cleaning both sides
- > Pivot axis with locking in the end position

* Dimensions:

- > Diameter from 100 – 160 mm
- > Brush width from 400 – 700 mm

* Brush drives:

- > Pneumatic turbine with planetary gearbox torque up to 10 Nm
- > Speed 1000 rpm
- > Rpm sensor displayed on the IMM control screen
- > Motor driven with frequency converter
- > Hydraulic drive linked into the IMM hydraulic supply

* Bristle material

- > PA 6.6, d = 0,5 – 0,8 mm, BH = 15 – 25 mm
- > Standard in stock available
- > Special dimensions on request available
- > Rubber strip insert
- > Silicon strip insert



robotix

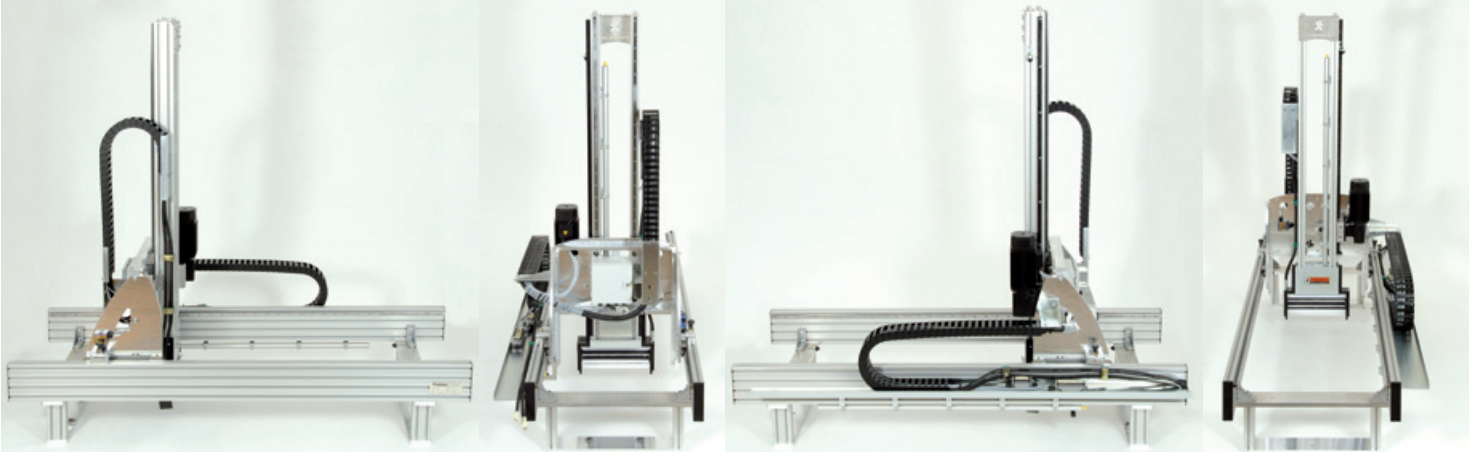
DESIGN for AUTOMATION

Automatisierungstechnik GmbH



Special configuration

- * 2 vertical motordriven axis
- * With integrated air hood
- * Double spiral brush head



Standard unit RB-1100